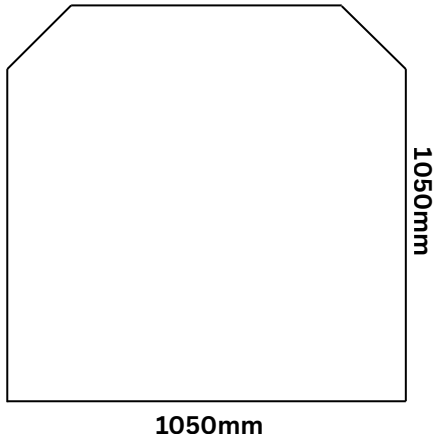


# Hearth Dimensions

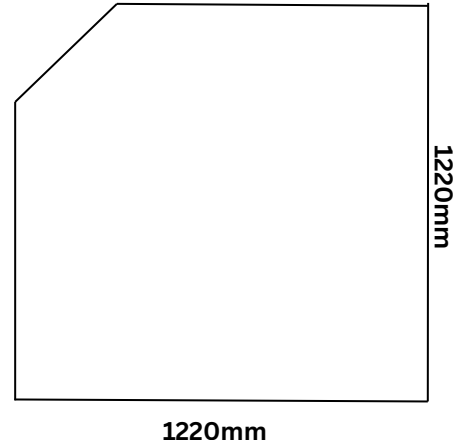
# REGENCY Albany

## Minimum Hearth Size

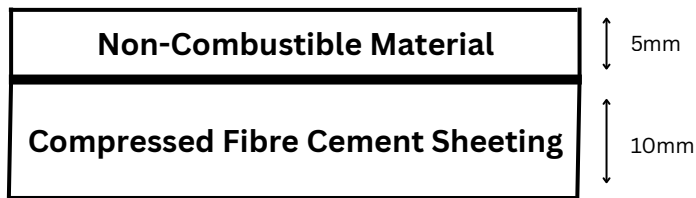
Square



Corner



## Minimum Hearth Thickness

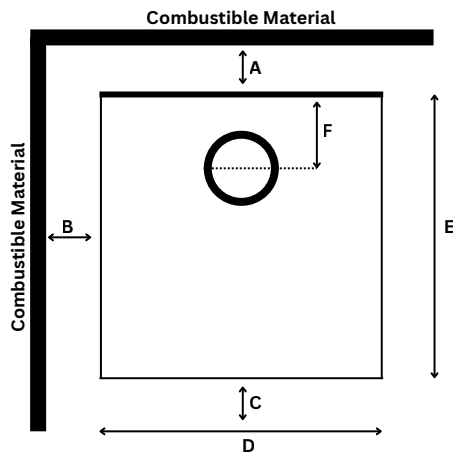


The Australian Requirements for a hearth on a combustible floor are as follows:

- A minimum of 10mm Compressed Fibre Cement Sheeting and,
- A minimum of 5mm non-combustible topping (e.g. Tiles, stone, bricks, etc.)

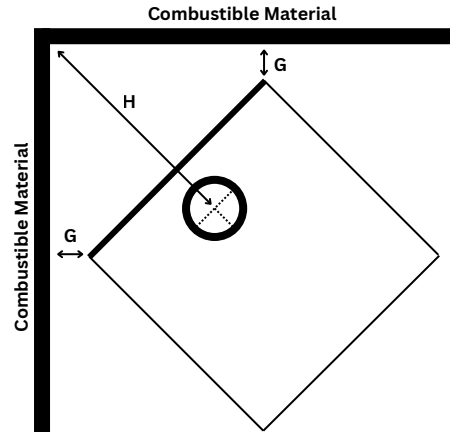
## Minimum Wall Clearance

Square



A	B	C	D	E	F
100	400	350	688	482	194

Corner



G	H
125	644

All Measurements in mm